

Semicircular sun tracker apparatus



Energías renovables

Renewable energies

Description

This is an apparatus for directing point focus solar concentrators so that they can capture the maximum amount of solar energy. After being oriented, the device requires only one rotational movement on the bar to keep track of the sun during the day. The apparatus is simple in construction and is compatible with systems of automatic movement.

Application

In addition to solar tracking, the device can be used to send telescopes to track celestial objects.

Stage of development

Conceptual model

IP status

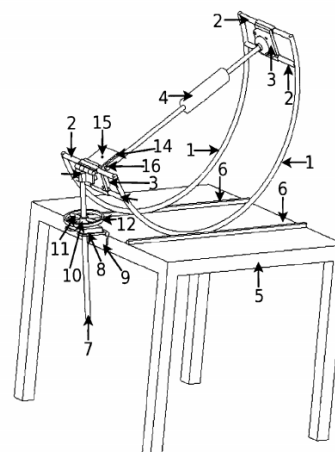
Patent in Mexico No. 307,426

Market potential

The use of solar power is augmenting in Mexico, as a result of an increase in the total installed area of solar heaters and photovoltaic modules.

Transferring conditions

- ✓ Technological development agreement (optional).
- ✓ Licensing (includes front payment and royalties)



Contacto UNAM:

UNAM Contact:

Ing. César León
cesar.leon@unam.mx
+52 (55) 56 58 56 50
Ext. 208

La información de esta ficha es propiedad de la Universidad Nacional Autónoma de México. Únicamente con fines informativos.

The information in this document is property of the Universidad Nacional Autónoma de México. Informational purposes only.

UNAM Technologies